



## 3PC BALL VALVE WITH ACTUATOR ISO5211 1000PSI

**Model: BT-3F-DM**

**Size: 1/4" ~ 4" FULL BORE (1000PSI),  
Direct Mounting**

Threaded: BSPT, BSP, NPT, DIN 2999, ISO 228/1

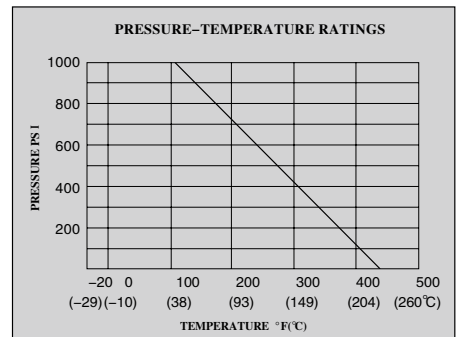
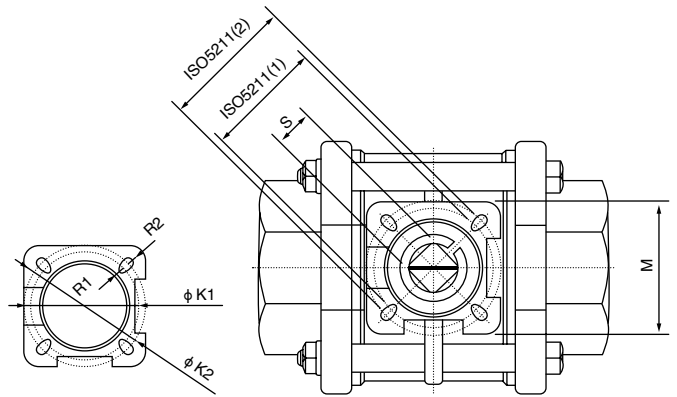
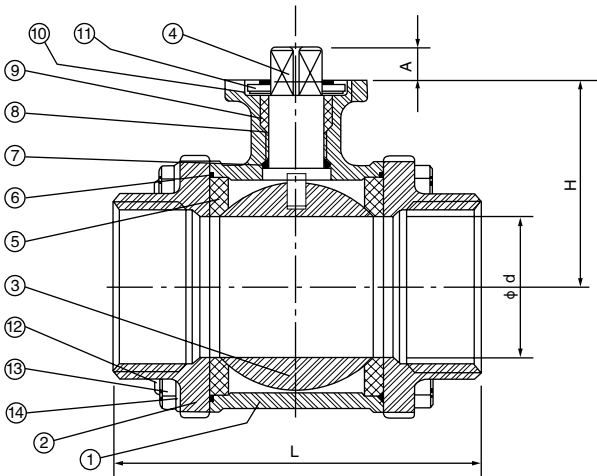
Materials: CF8M (SS316), CF8 (SS304)



### Features:

- ▲ Investment casting body and cap
- ▲ Working pressure 1/4" ~ 2" 1000PSI, 2 1/2" ~ 4" 800PSI
- ▲ Adjustable stem packing
- ▲ Pure teflon seals and seats
- ▲ Temperature range: -60 to 450° F
- ▲ Blow-out proof stem
- ▲ 100% leakage tested at 100PSI air under water
- ▲ Hydrostatic test pressure:  
1/4" ~ 2" 1500PSI, 2 1/2" ~ 4" 1200PSI
- ▲ ISO-5211 direct mounting pad  
(No need for bracket and adapter)
- ▲ Handle lever and locking device (optional)

VALVE



### MATERIAL LIST

NO.	PART NAME	MATERIAL	Q'TY
1	BODY	CF8M	2
2	CAP	CF8M	1
3	BALL	CF8M	1
4	STEM	TYPE 316	1
5	SEAT	PTFE	2
6	GASKET	PTFE	2
7	THRUST WASHER	PTFE	1
8	STEM PACKING	PTFE	1
9	GLAND NUT	304	1
10	BEVEL WASHER	304	1
11	SNAP RING	304	1
12	BOLTS	304	4
13	BOLT NUTS	304	8
14	BOLT WASHERS	304	8

### DIMENSION LIST

SIZE	A	H	D	L ± 0.5
1/4"	9.0	38.5	12.7	60.3
3/8"	9.0	38.5	12.7	60.3
1/2"	9.0	39.2	15.0	65.5
3/4"	9.0	40.5	20.0	79.0
1"	11.0	49.0	25.0	86.0
1 1/4"	11.0	54.0	32.0	105.0
1 1/2"	14.0	63.2	38.0	118.3
2"	14.0	72.4	50.0	133.0
2 1/2"	19.0	96.5	65.0	166.0