



## 3PC BALL VALVE(THREADED) 1000PSI

**Model: BT-3F**

**Size: 1/4" ~ 4" FULL BORE (1000PSI)**

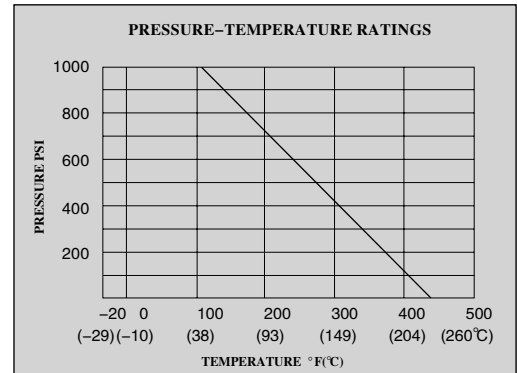
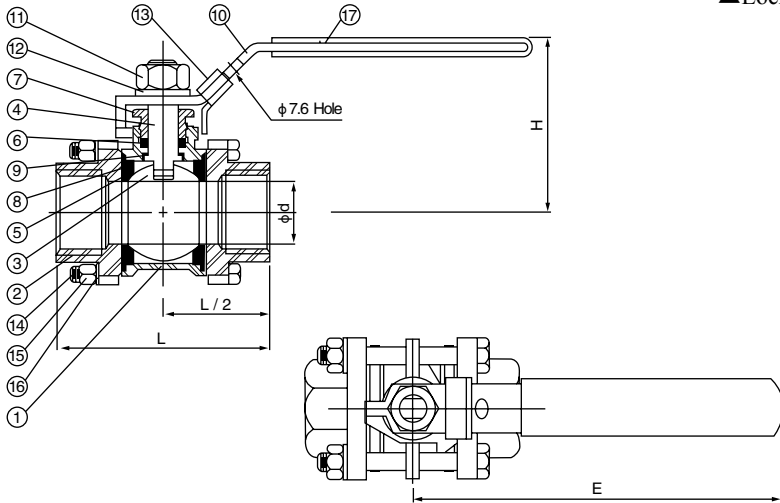
Threaded:BSPT.BSP.NPT.DIN2999.ISO 228/1

Materials:CF8M(SS316),CF8(SS304)



### Features:

- ▲ Investment casting body and cap
- ▲ Working pressure 1/4" ~ 2" 1000PSI, 2 1/2" ~ 4" 800PSI
- ▲ Adjustable stem packing
- ▲ Pure teflon seals and seats
- ▲ Temperature range: -60 to 450° F
- ▲ Blow-out proof stem
- ▲ 100% leakage tested at 100PSI air under water
- ▲ Hydrostatic test pressure:  
1/4" ~ 2" 1500PSI, 2 1/2" ~ 4" 1200PSI
- ▲ Locking device(optional)



MATERIAL LIST			
NO.	PARTS NAME	MATERIAL	Q'TY
1	BODY	CF8M	1
2	END CAP	CF8M	2
3	BALL	CF8M	1
4	STEM	316	1
5	BALL SEAT	PTFE	2
6	STEM PACKING	PTFE	2
7	GLAND NUT	304	1
8	END SEAL	PTFE	2
9	THRUST WASHER	PTFE	1
10	HANDLE	304	1
11	STEM NUT	304	8
12	SPRING WASHER	304	1
13	LOCKING DEVICE	304	1
14	BOLTS	304	4
15	BOLT NUTS	304	8
16	BOLT WASHERS	304	8
17	PLASTIC SLEEVE	PVC	1

DIMENSION LIST				
SIZE	D	L ± 0.5	H	E
1/4"	12.7	57.50	45.50	99.5
3/8"	12.7	59.00	45.50	99.5
1/2"	15.0	62.80	48.00	99.5
3/4"	20.0	78.00	61.50	126.5
1"	25.0	82.20	68.00	126.5
1 1/4"	32.0	97.60	79.00	153.0
1 1/2"	38.0	107.60	86.50	153.0
2"	50.0	119.70	94.50	192.0
2 1/2"	65.0	167.20	119.50	248.0
3"	76.0	175.60	130.00	248.0
4"	100.0	219.50	167.00	320.0

VALVE