

# Industrial Breaking Bolt Series

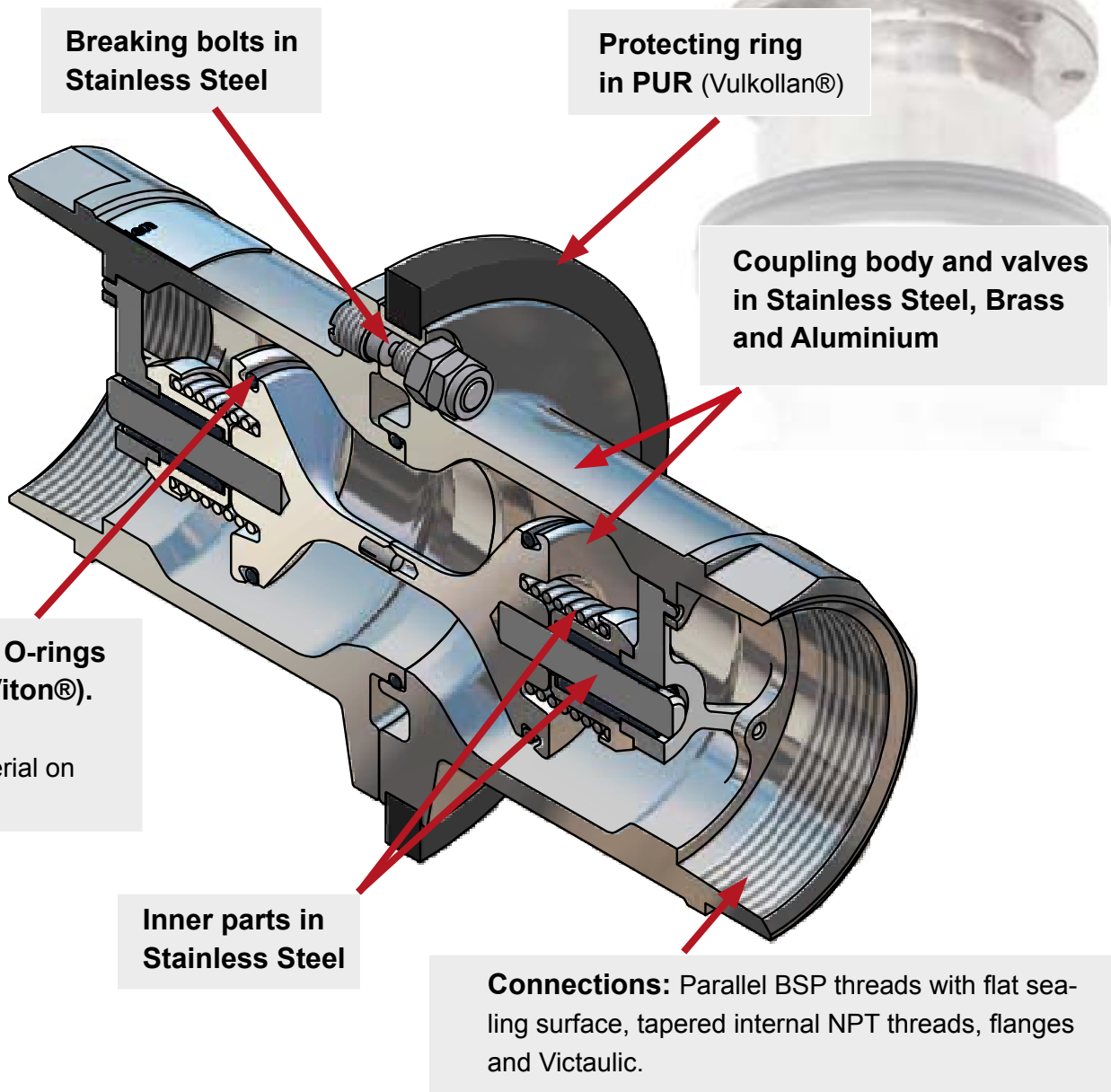
## Industrial Break-away coupling

Industrial Break-away coupling is utilized all industrial product transfer installations.

The industrial SBCouplings are specifically designed to be able to activate with a tensile force being applied at an angle to the plane of the coupling housing, up to 90 degrees.



## Advantages



No part of this leaflet may be reproduced in any form or by any means without permission in writing from the publisher.